

DECORATIVE ■■■ WINDOW SHELVES



AUER-JORDAN'S WINDOW SHELVES with architectural styling add distinguishing focal points to your windows.

The window shelving system allows you to incorporate your own decorative plant containers to create a look that is unique to your home and personalized to your aesthetic.

The window shelf system expands to accommodate any window length through a combination of components which include:

- Shelf Brackets
- Shelf Center Supports
- Cedar Shelf Strips in a variety of lengths



The window shelves utilize the same architectural elements as our arbor brackets to ensure that both arbors and shelves are unified into one architectural accent system.

Our cedar products are made from sustainably grown Port Orford cedar from Oregon.



Our Decorative Architectural Arbor

All of our products are hand crafted in our shop in Healdsburg, California.

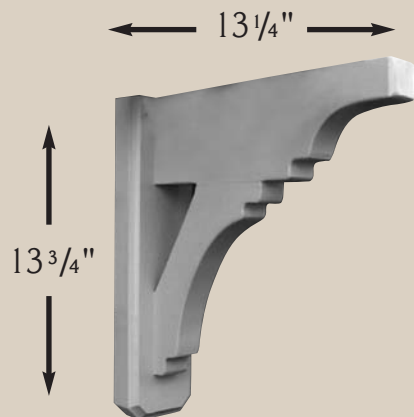
■■■
AUER-JORDAN
■■■

Call toll free: 866-217-4476
www.ArborOriginal.com

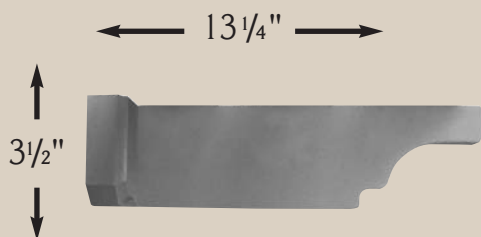
P.O Box 1336 ■ Healdsburg, CA 95448 ■ 707-838-1918 ■ FAX 707-838-3234

SPECIFICATIONS

■ ■ ■ AND PRICE LIST



Window Shelf Bracket \$65.00 each
 Dimensions: 13 1/4" wide x 13 3/4" high



Shelf Support \$35.00 each
 Dimensions: 13 1/4" wide x 8 1/2" high
 Mounting plate: 5 1/2" wide x 3 1/2" high



Shelf Strips* 2 1/2" wide x 1" high	36"	\$ 9.00 each
	48"	\$12.00 each
	60"	\$15.00 each
	72"	\$18.00 each

* Shelf Bracket or Shelf Support recommended every 36" • * Mounting hardware not included

—All components grown and made in U.S.A.—

■ ■ ■
AUER-JORDAN
 ■ ■ ■

Call toll free: 866-217-4476
www.ArborOriginal.com

P.O Box 1336 ■ Healdsburg, CA 95448 ■ 707-838-1918 ■ FAX 707-838-3234